
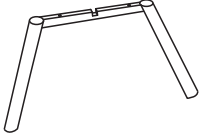
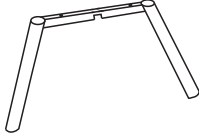

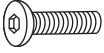

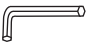

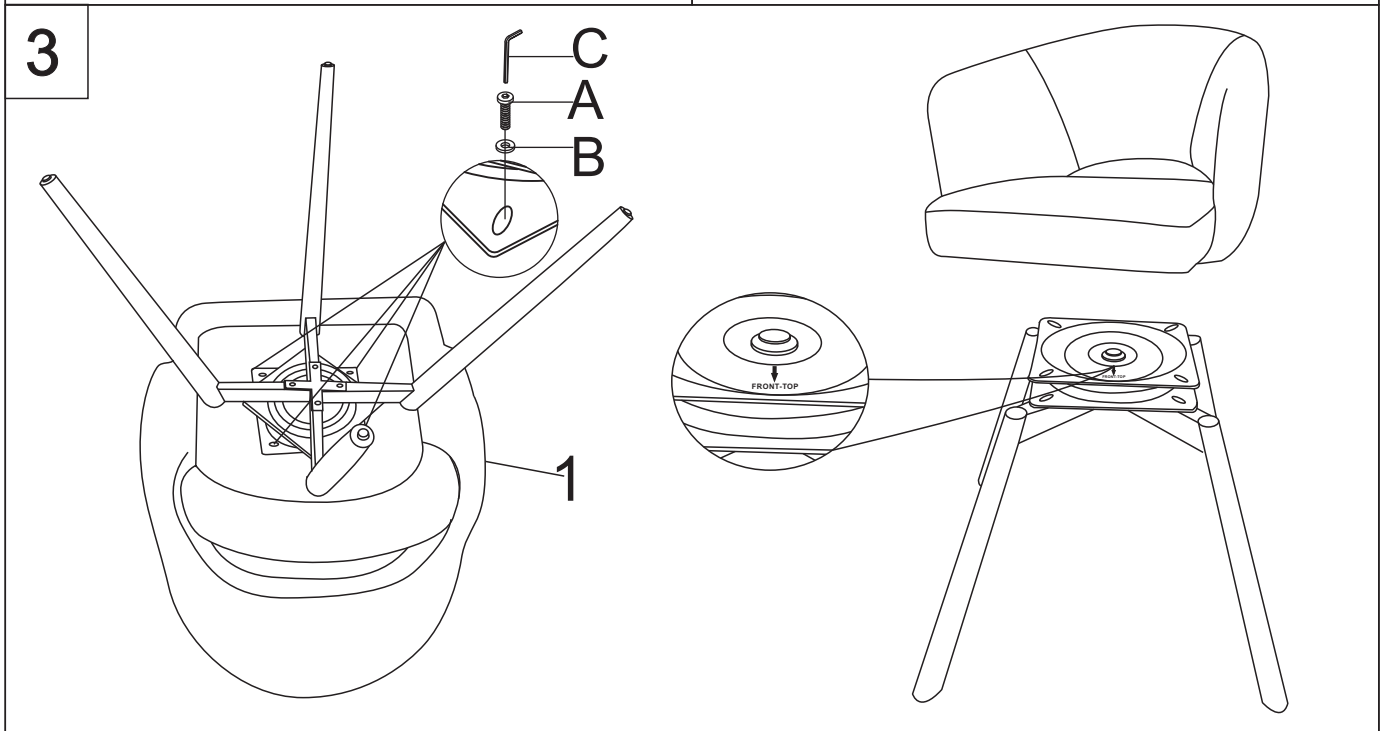
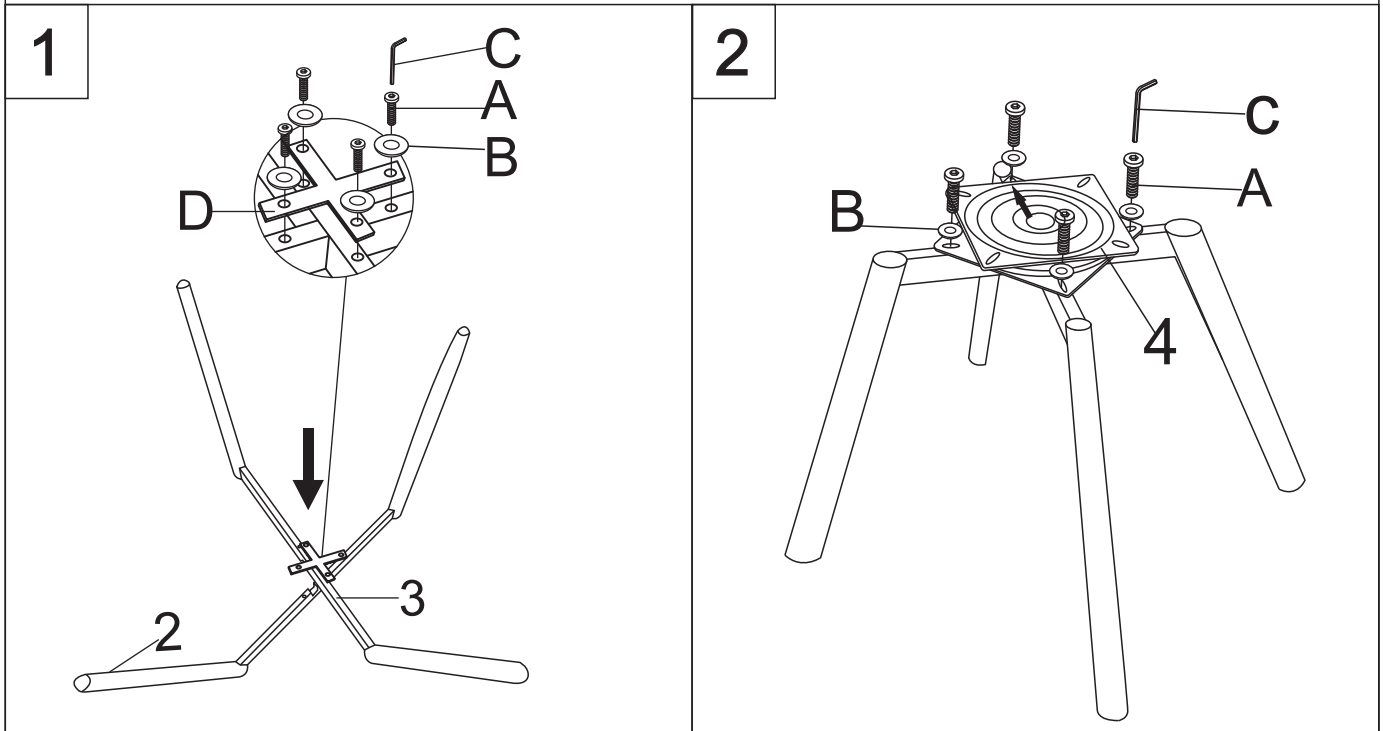


Pier impOrt

NOTICE DE MONTAGE 30051785 - CHAISE CREEK

1.x1 	2.x1 	3.x1 	4.x1 
A.x12  M6x13mm	B.x12 	C.x1 	D.x1 



4

