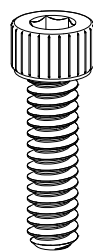


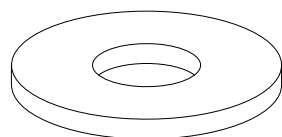
A-05 (M8x25mm)



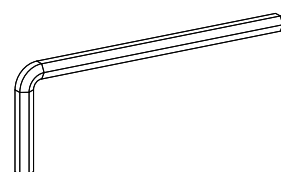
B-08 (M8x30mm)



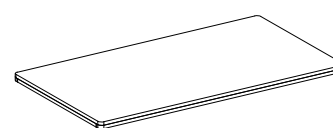
C-13 (M8x25mm)



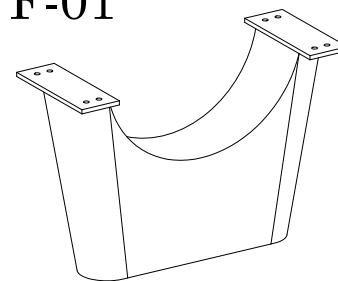
D-01 (6mm)



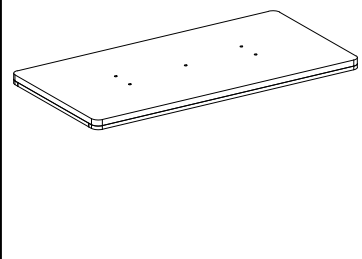
E-01



F-01



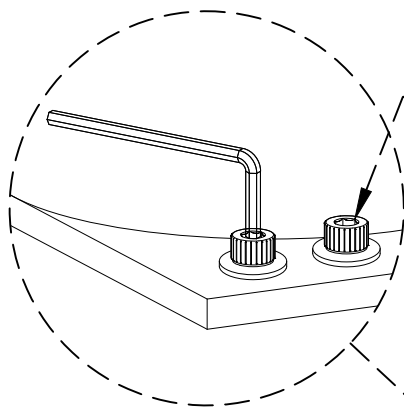
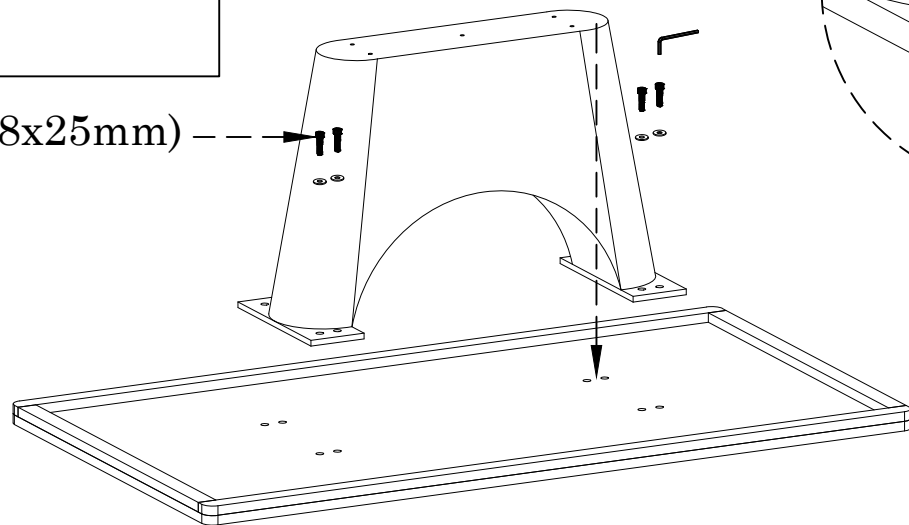
G-01



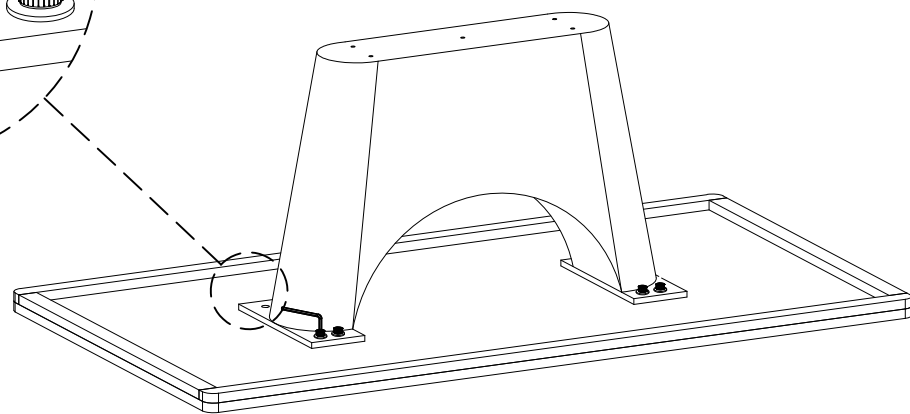
ETAPE - 01

ETAPE - 02

A (M8x25mm)

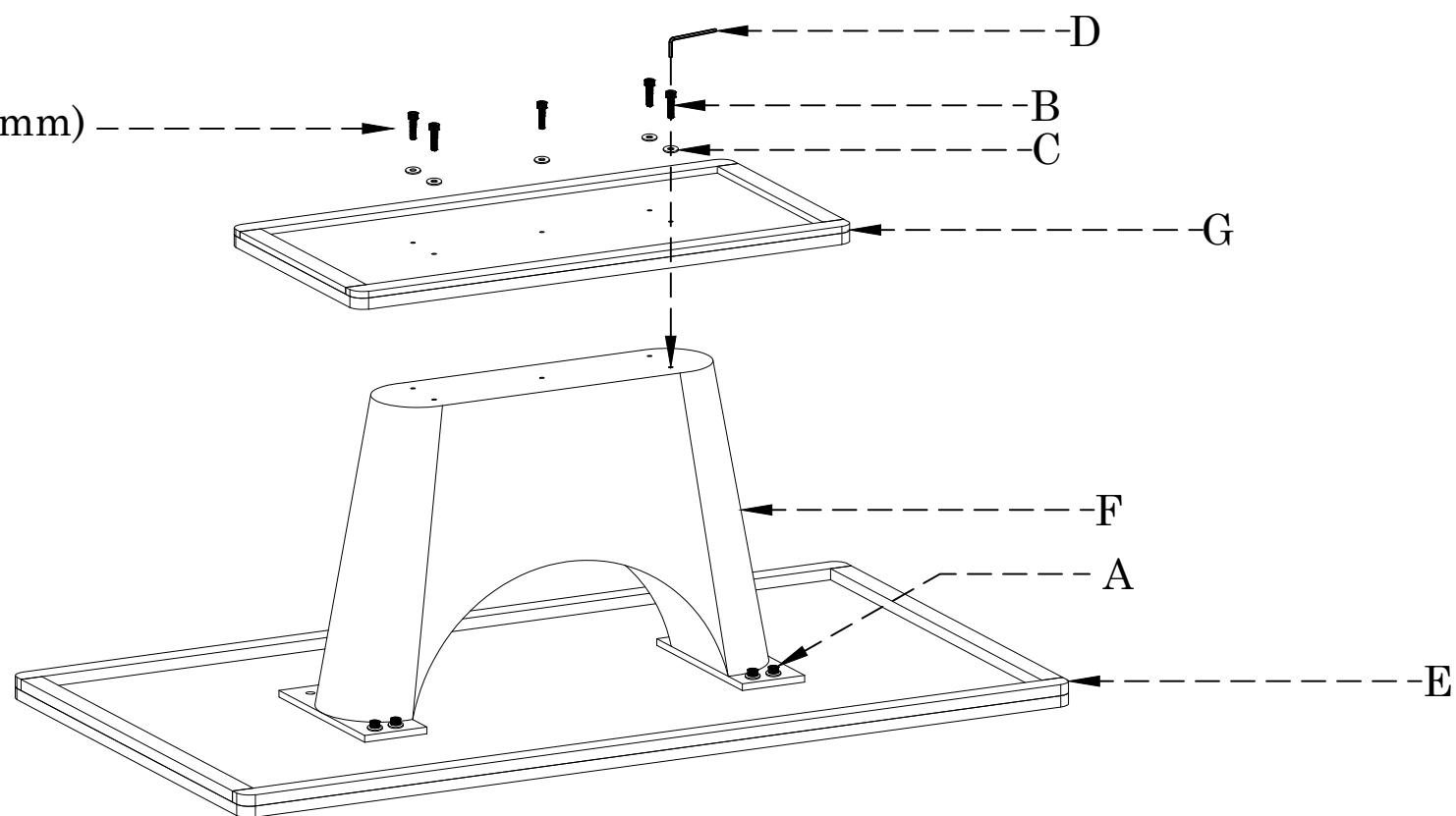


A (M8x25mm)



ETAPE - 03

B (M8x30mm)



D

B

C

G

F

A

E

Final

