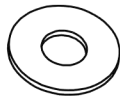


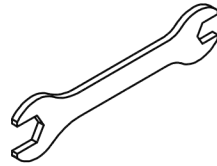
20 X 8

DX8



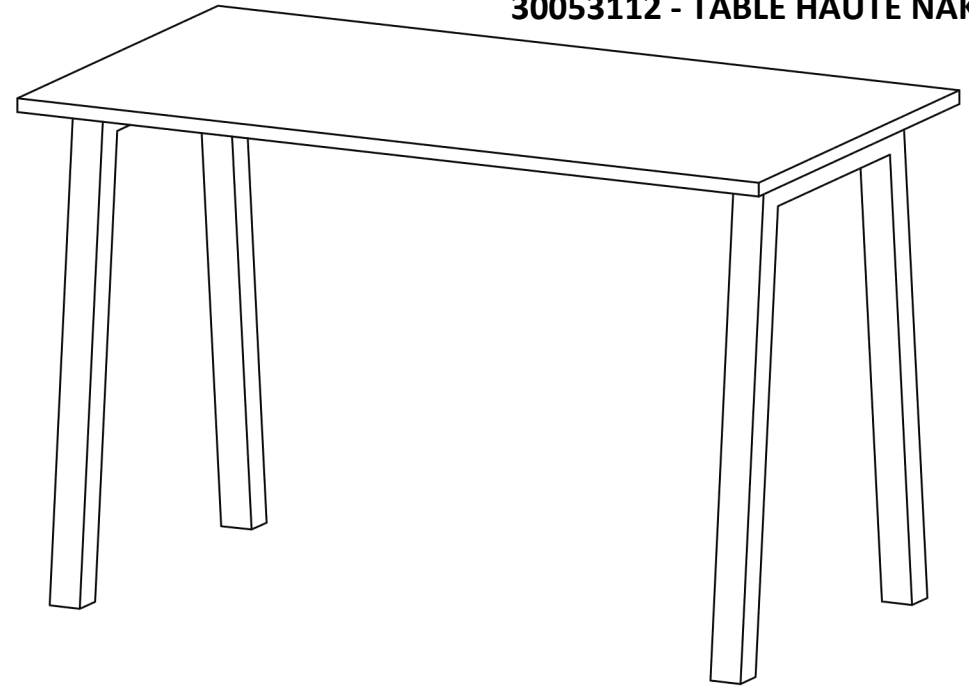
25 X 8

EX1

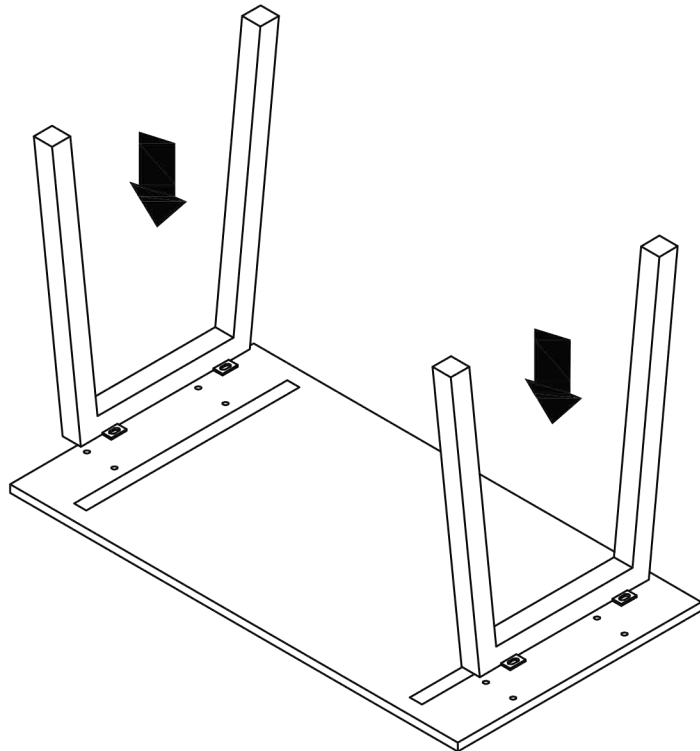


12 X 13

3



1



2

