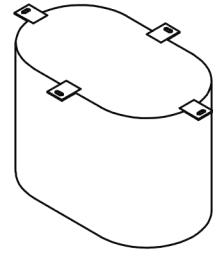
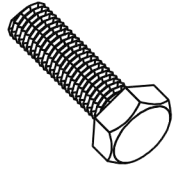


AX 1

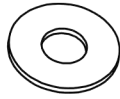


BX 1



CX 4

20 X 8



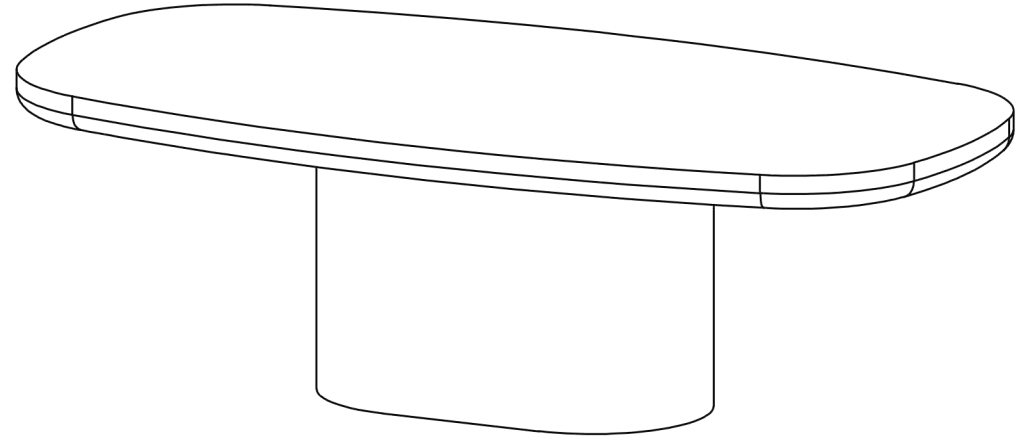
DX 4

25 X 8

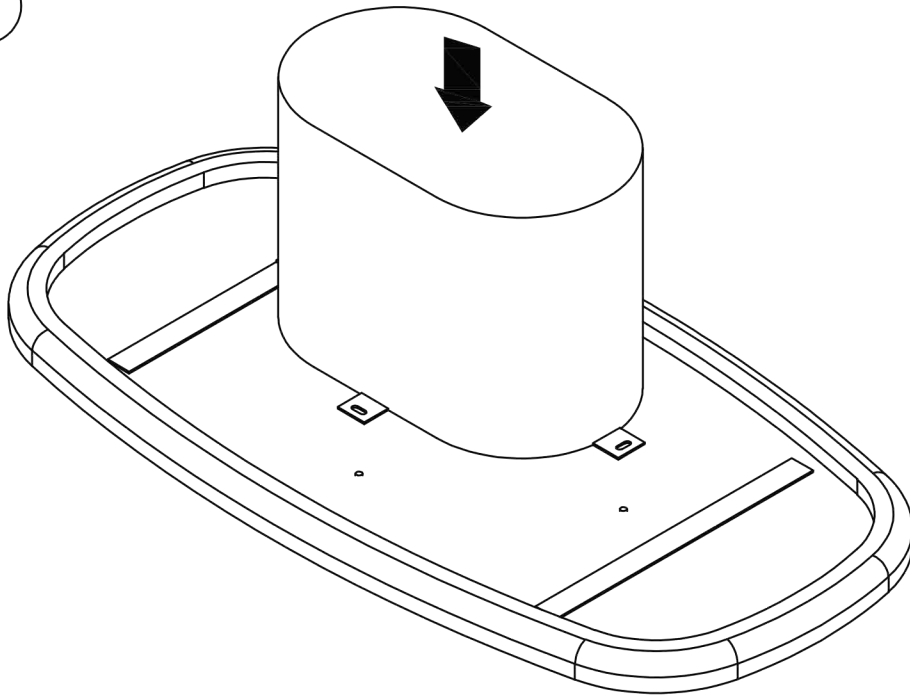


EX 1

12 X 13



1



2

